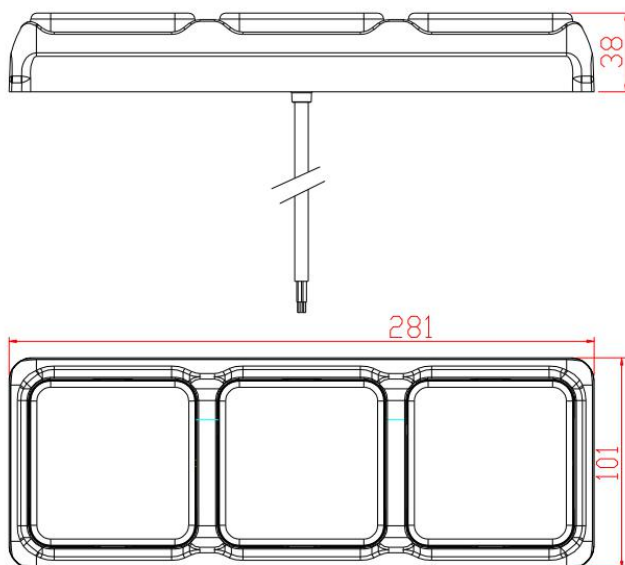


LED COMBINATION SIGNAL LIGHT

KS18-020 LED COMBINATION SIGNAL LIGHT



FEATURES:

Aftermarket 100% New

Easy to Install

High bright withing Fresnel lens

IP Rate IP67

Item No.: KS18-020

Material: PC lesn&ABS basement

Founcation: Stop/Tail/Indicator/Reverse

Led:48 pcs SMD

Cable:40cm 5core cable

Size: 110*63*14mm

Drawing

KS18-020 specification

Funcation	Voltage	current	wattage
Run	12V/24V	0.01A/0.02A	0.12W/0.48W
Brack	12V/24V	0.16A/0.14A	1.92W/3.36W
Indator	12V/24V	0.15A/0.12A	1.8W/2.88W
Reverse	12V/24V	0.16A/0.12A	1.92W/2.88W

No.888 Gao Jia,Gao Qiao Town| Ningbo,China

Tel:0086-574-28806298| E-mail:sales3@nbunique.com

Web:www.nbunique.com

AUTO LIGHT